



PRODUCT DATASHEET

Lenina series

last update 31/10/2016

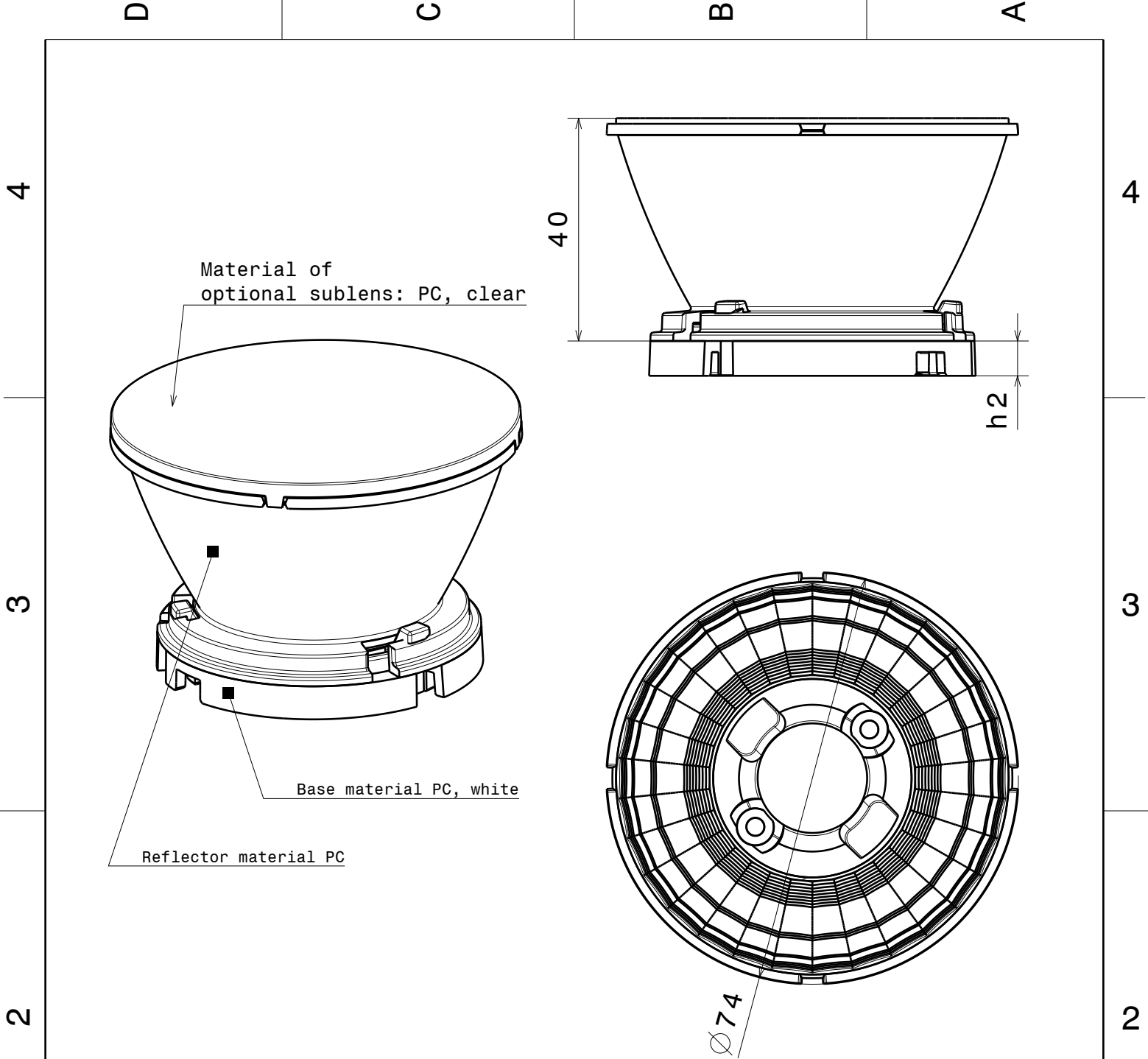
DETAILS

Product Number	CN12603_LENINA-S-DL
Family	Lenina
Type	RefPack
Color	metal
Diameter	74 mm
Height	48,35 mm
Style	round
Optic Material	PC
Holder Material	
Fastening	screw
Status	production ready
ROHS Compliant	Yes
Date Updated	31/10/2016

OPTICAL PROPERTIES

LED	Viewing Angle	Light Beam	Efficiency	cd/lm	Connector
BXRA ES Rectangle	20 deg	Spot	80 %	sim: 4.500	LEDiL: LEDiL






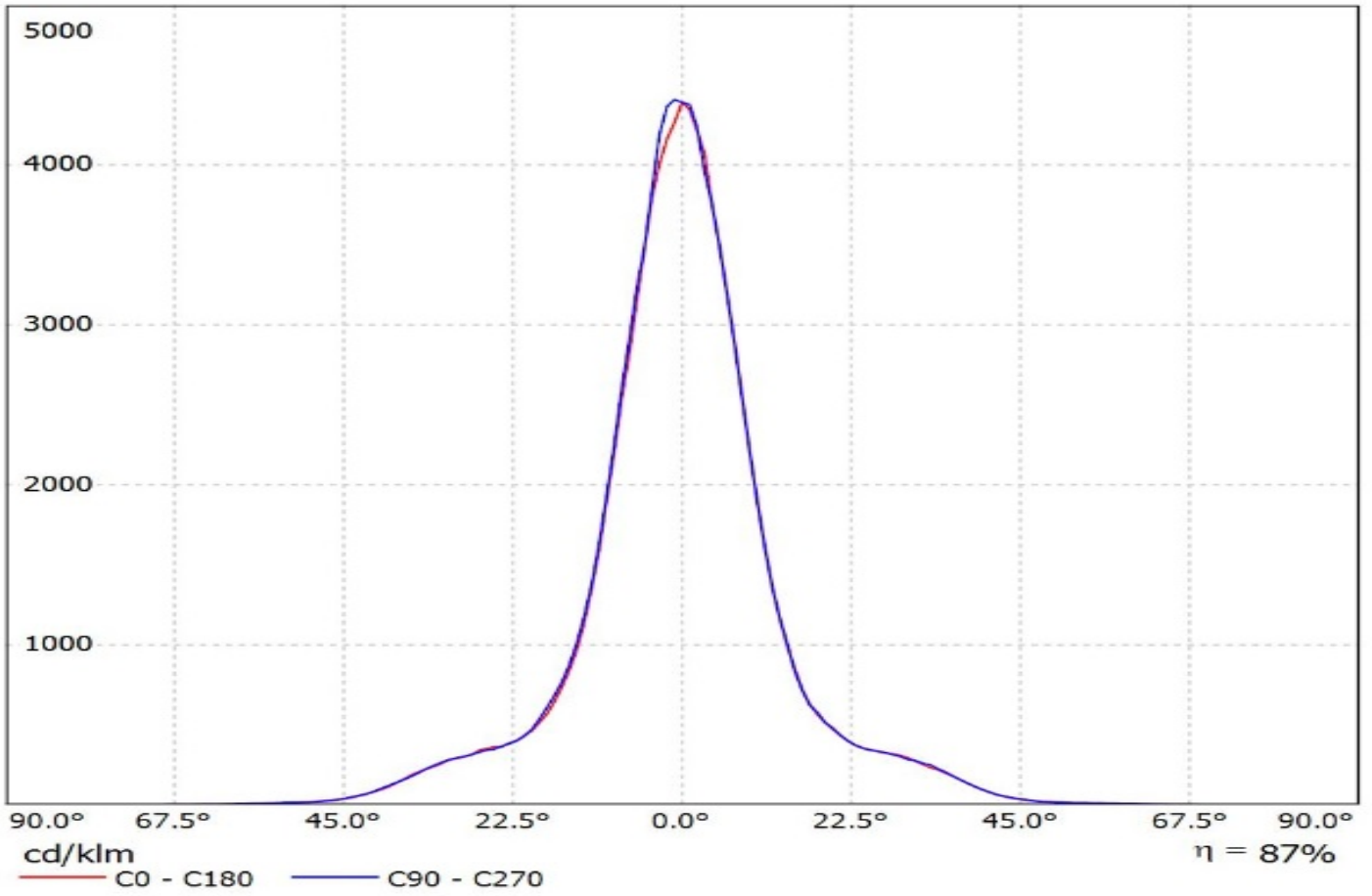
NOTE:

Using optional sublens, add 2.1mm to the system height

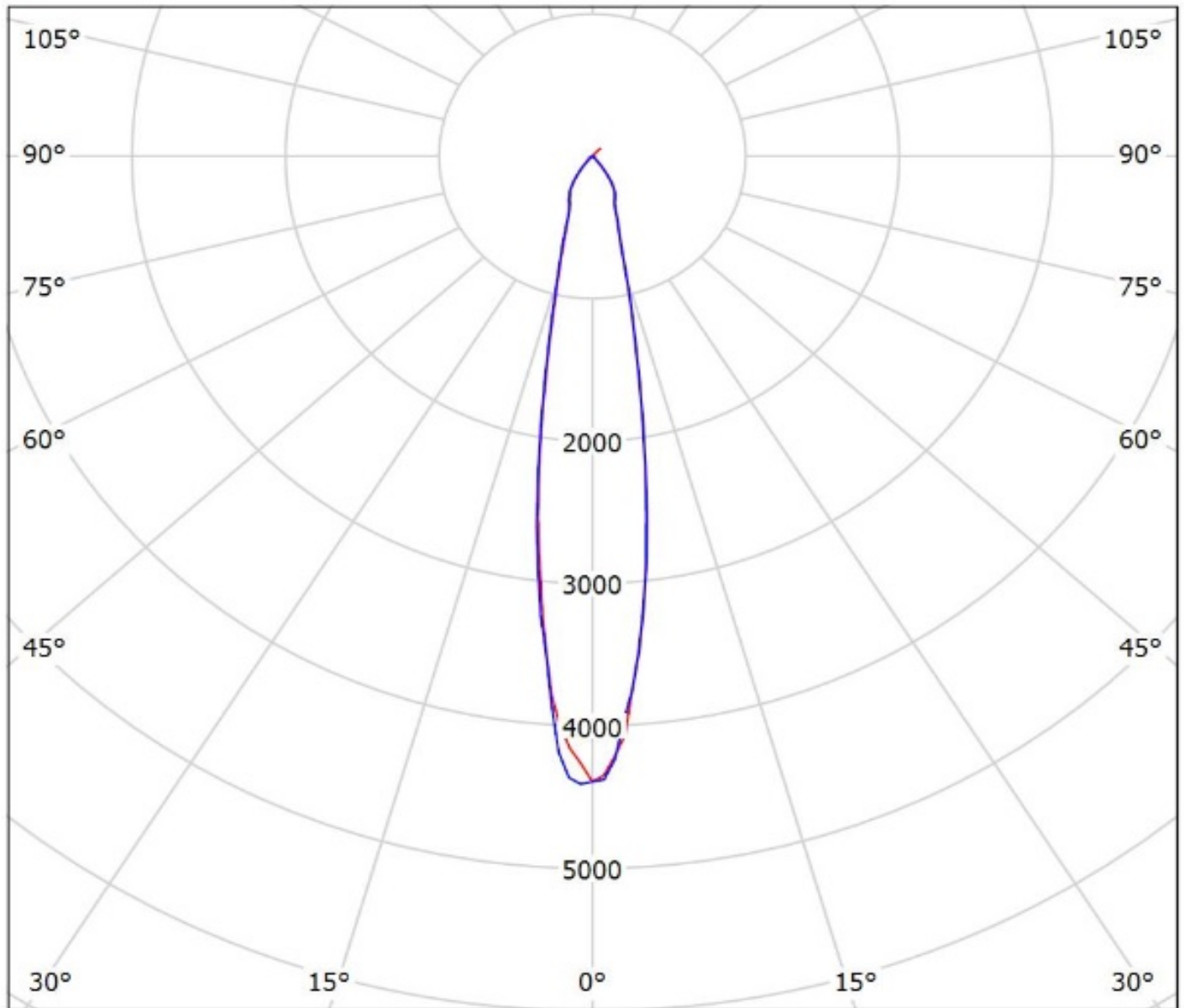
Dimension 'h2' varies from 4.5mm to 7mm depending on the LED specific base part

This drawing is our property. It can't be reproduced or communicated without our written agreement.				Ledil Oy Salorankatu 10 FIN-24240 SALO Finland	
		DRAWING TITLE			
DRAWN BY ks		DATE 23.04.2014		Datasheet Lenina series	
CHECKED BY		DATE		SIZE A4	
DESIGNED BY pl		DATE 08.03.2012		DRAWING NUMBER --	
		SCALE 1:1		WEIGHT (g)	
				REV 1	
				SHEET 1/1	

Luminaire: Ledil Oy CN12603_LENINA-S-DL (BXRA_ES_Rectangle)_SIMULATED
Lamps: 1 x Bridgelux BXRA ES Rectangle (ES-REC-BXRA-30E2000)



Luminaire: Ledil Oy CN12603_LENINA-S-DL_(BXRA_ES_Rectangle)_SIMULATED
Lamps: 1 x Bridgelux BXRA ES Rectangle (ES-REC-BXRA-30E2000)



cd/klm

— C0 - C180 — C90 - C270

$\eta = 87\%$

NOTE: The typical divergence will be changed by different color, chip size and chip position tolerance. The typical total divergence is the full angle measured where the luminous intensity is half of the peak value.