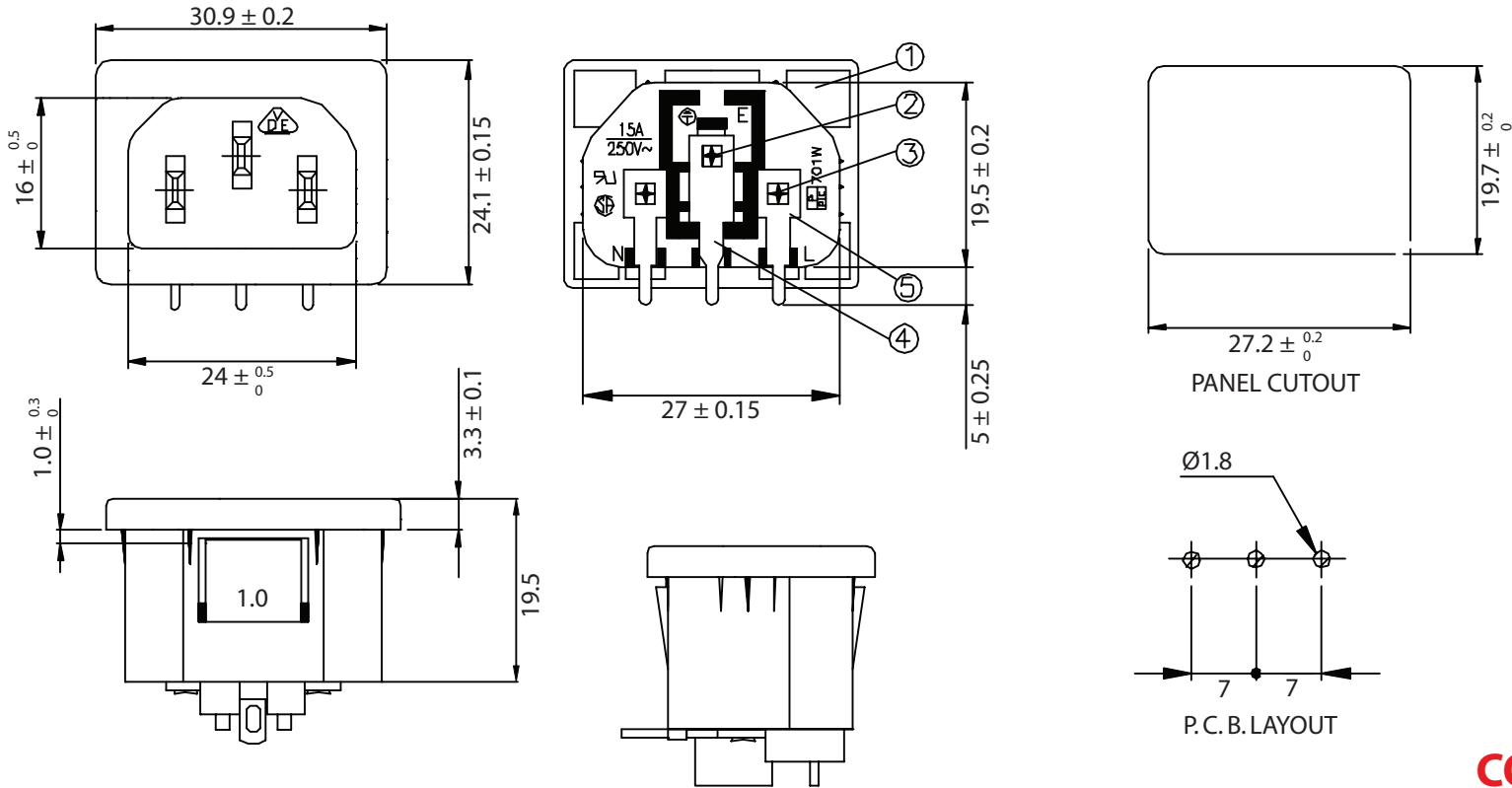


THESE DRAWINGS ARE THE PROPERTY OF QUALTEK ELECTRONICS AND NOT TO BE REPRODUCED FOR OR COMMUNICATED TO A THIRD PARTY WITHOUT THE EXPRESS WRITTEN PERMISSION OF AN OFFICER OF QUALTEK ELECTRONICS.

REVISION			
REV.	DESCRIPTION	DATE	APPROVED
B	RoHS Compliancy	06-01-06	DP



CONTROLLED

NOTES:

RATING:

UL, CSA: 15A 250V AC
 VDE, SEV, FIMKO, DEMKO, KEMA, NEMKO, SEMKO, CCC: 10A 250V AC
 APPROVALS: UL, CSA, VDE, SEV, FIMKO, DEMKO, KEMA, NEMKO, SEMKO, CCC
 PANEL THICKNESS: 1.0mm
 RoHS COMPLIANT

5	Soldering PIN Bronze Strip t=0.8mm Tin-Plated	2
4	Soldering PIN Bronze Strip t=0.8mm Tin-Plated	1
3	Contact PIN Bronze Strip t=2mm Ni-Plated	2
2	Contact PIN Bronze Strip t=2mm Ni-Plated	1
1	Body Insulator PC 940 OR PBT 4130 Black Color	1

Dim range (mm)	Tolerance +/- (mm)	Qualtek Electronics Corp. PPC DIVISION		
		Part Number: 701W-10/05	RoHS Compliant	
0-1	0.15	Description: AC RECEPTACLE		
1-6	0.20		UNIT: mm	REV. B
6-18	0.30			
18-50	0.50			
50-120	0.70	Drawn / Date	Checked / Date	Approved / Date
120-250	0.90	B.Zhang 03-02-04	03-02-04	JJH / 03-02-04
250-500	1.20			