

**Materials**

1. C3604 brass, nickel plated
2. C2680 brass, nickel plated
3. C3604 brass, nickel plated
4. POM, black

**Electrical requirements**

Dielectric strength: 1 min @ 500 Vac and 2mA  
 Insulation resistance: 100 MΩ @ 500 Vdc  
 Contact resistance: 50 mΩ or less

**Mechanical requirements**

Durability: 5000 mating cycles while maintaining normal operation and < 50mΩ  
 Bending strength: ≥ 3.2 kg  
 Breaking strength: ≥ 6.8 kg

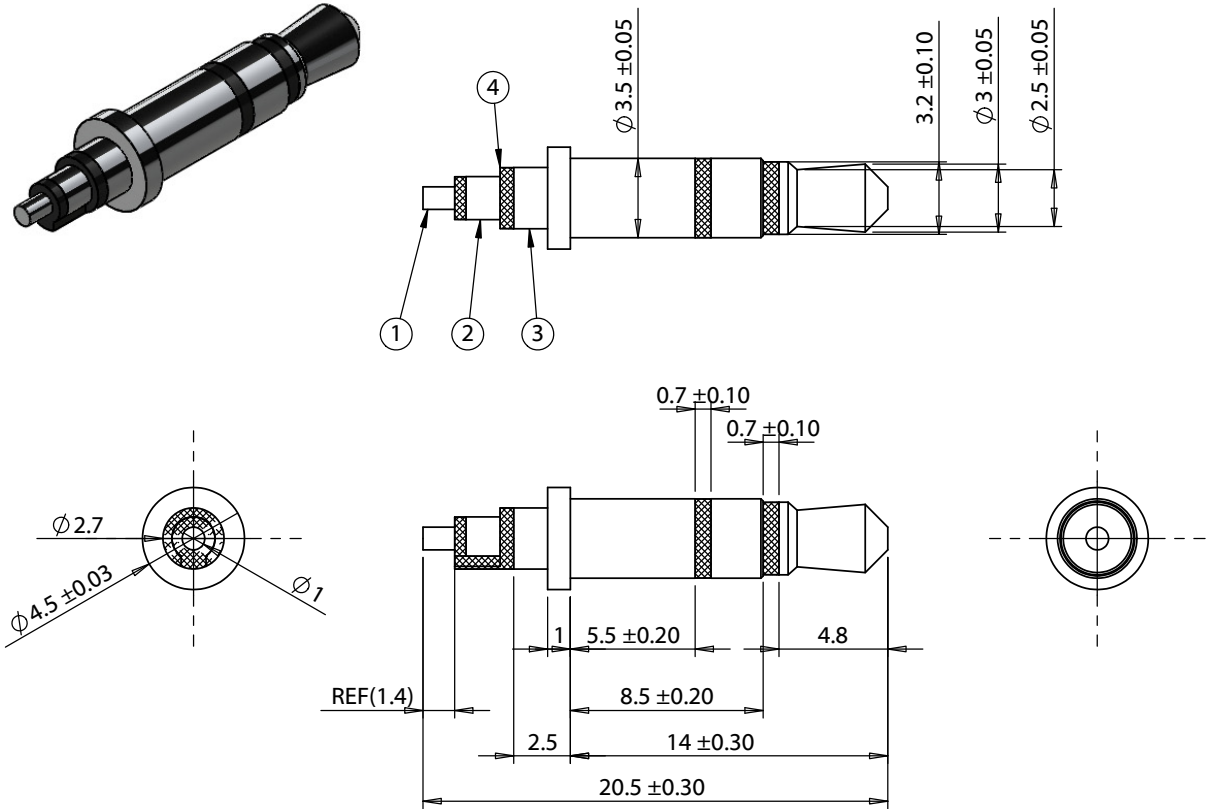
**Environmental tests**

Salt spray test: 5% NaCl spray at 1ml/80cm<sup>2</sup>/h, chamber temp 46.5°C, spray temp 35°C, 87% humidity, 48 hours.  
 No oxidation.

Cold resistance: -25°C±3 for 2 hours with no degradation.  
 Heat resistance: 85°C±3 for 2 hours with no degradation.

**Operating range**

-30 to 85 °C



REVISION	DATE	DESCRIPTION	PREPARED:	NOTES	<h1>TENSILITY</h1>				
A	3/10/14	Initial release		RoHS and REACH compliant	<p><b>20802 Sockeye Place #130</b>  <b>Bend, OR 97701 USA</b>                      tel 541.323.3228 fax 541.323.4202                      800 877.670.7118 www.tensility.com</p>				
			VERIFIED:	Function test: no open, no short circuit, no INT					
			DIMENSIONS ARE IN MILLIMETERS					SIZE	PART NUMBER
			TOLERANCES: X: ± 0.5 mm X.X: ± 0.3 mm X.XX: ± 0.05 mm					A	<b>50-00396</b>
				DESCRIPTION: Connector, stereo plug, 3.5xL20.5 mm, brass, nickel plated, molding style	SCALE: 3:1	WEIGHT:	SHEET 1 OF 1		