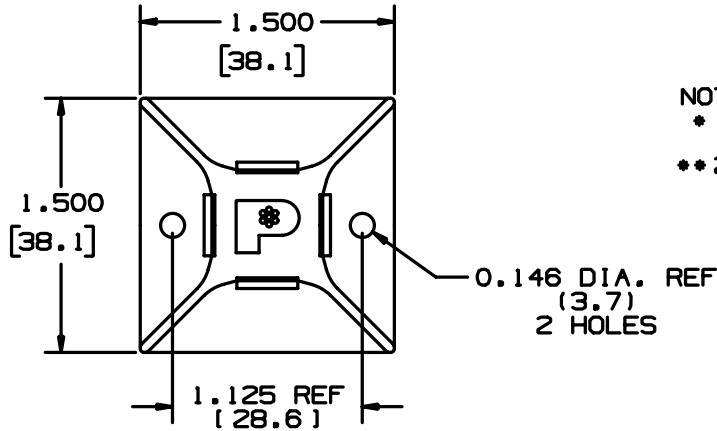


THIS COPY IS PROVIDED ON A RESTRICTED BASIS AND IS NOT TO BE USED IN ANY WAY DETRIMENTAL TO THE INTERESTS OF PANDUIT CORP.

NO WARRANTY, EXPRESSED OR IMPLIED, IS MADE BY PANDUIT WITH RESPECT TO ADHESIVE BOND PERFORMANCE. AMONG OTHER THINGS, THE CONDITIONS UNDER WHICH THESE MOUNTS MAY BE APPLIED AND/OR THE SURFACE TO WHICH THEY MAY BE APPLIED ARE BEYOND PANDUIT'S CONTROL.

PANDUIT PART NO.*	USE WITH THESE CABLE TIE ** CROSS SECTIONS	WEIGHT lbs (g) /100 pcs.
ABM3H-AT	M, I, S, LH & H	0.61 (274)

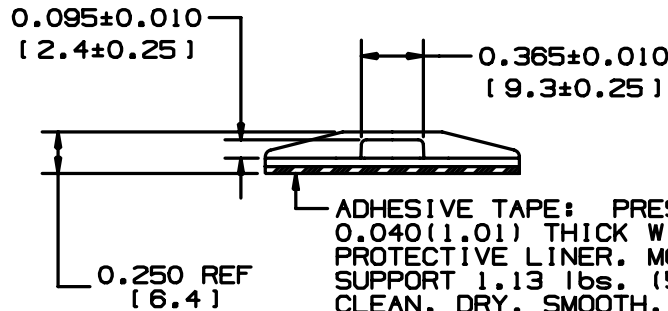


NOTES:

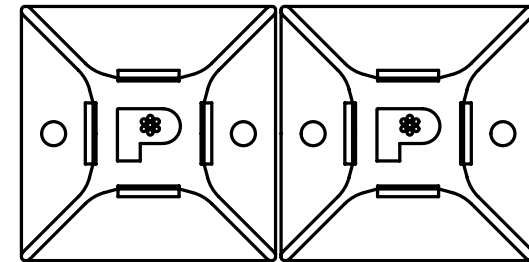
- \* 1) SEE CURRENT PRICE SHEET FOR PART NUMBER SUFFIX DESIGNATIONS FOR PACKAGE SIZE.
- \*\* 2) CABLE TIE CROSS SECTION CODE: M=MINIATURE, I=INTERMEDIATE, S=STANDARD, LH=LIGHT HEAVY, H=HEAVY. MOUNT SHOULD NOT BE USED WITH M, I OR S CROSS SECTION CABLE TIES WITH LESS THAN A 2" BUNDLE DIAMETER.

TO APPLY MOUNT

- 1) REMOVE PROTECTIVE LINER.
- 2) PLACE IN DESIRED LOCATION.
- 3) APPLY PRESSURE TO MOUNT.



ADHESIVE TAPE: PRESSURE SENSITIVE FOAM 0.040(1.01) THICK WITH ACRYLIC ADHESIVE AND PROTECTIVE LINER. MOUNT IS DESIGNED TO SUPPORT 1.13 lbs. (513g) MAX. WEIGHT ON A CLEAN, DRY, SMOOTH, GREASE-FREE SURFACE.



(DIMENSIONS IN PARENTHESES ARE IN METRIC.)

CAD FILENAME/LAYERS

G00239GV\_DC\_01

**PANDUIT**

CORP.

TINLEY PARK, ILLINOIS

ABM3H-AT  
ADHESIVE BACKED MOUNT

UNLESS OTHERWISE SPECIFIED,  
DIMENSIONAL TOLERANCES ARE:  
(.X) ±0.1(2.5) (.XXX) ±0.020(.5)  
(.XX) ±0.05(1.3) ANGLES ± 5°

UNLESS OTHERWISE SPECIFIED,  
ALL DIMENSIONS ARE GIVEN  
IN INCHES, THIRD ANGLE PROJECTION.

REV	DATE	BY	CHK	DESCRIPTION	ECN	R	CUST	SUP
1	09-14-05	TMSA		REVISED SCREW HOLE DIMENSION REMOVED TOLERANCE FROM "REF" DIMENSION	G80239GV	1		
R	10-20-00	CGSM		INITIAL RELEASE	G80239GV	R		

DRAWN BY  
CGSM

MAT'L:

WHITE  
NYLON 6/6

SCALE  
FULL

DATE  
10-20-00

DRAWING NO.

G80239GV

DWG

SIZE

A