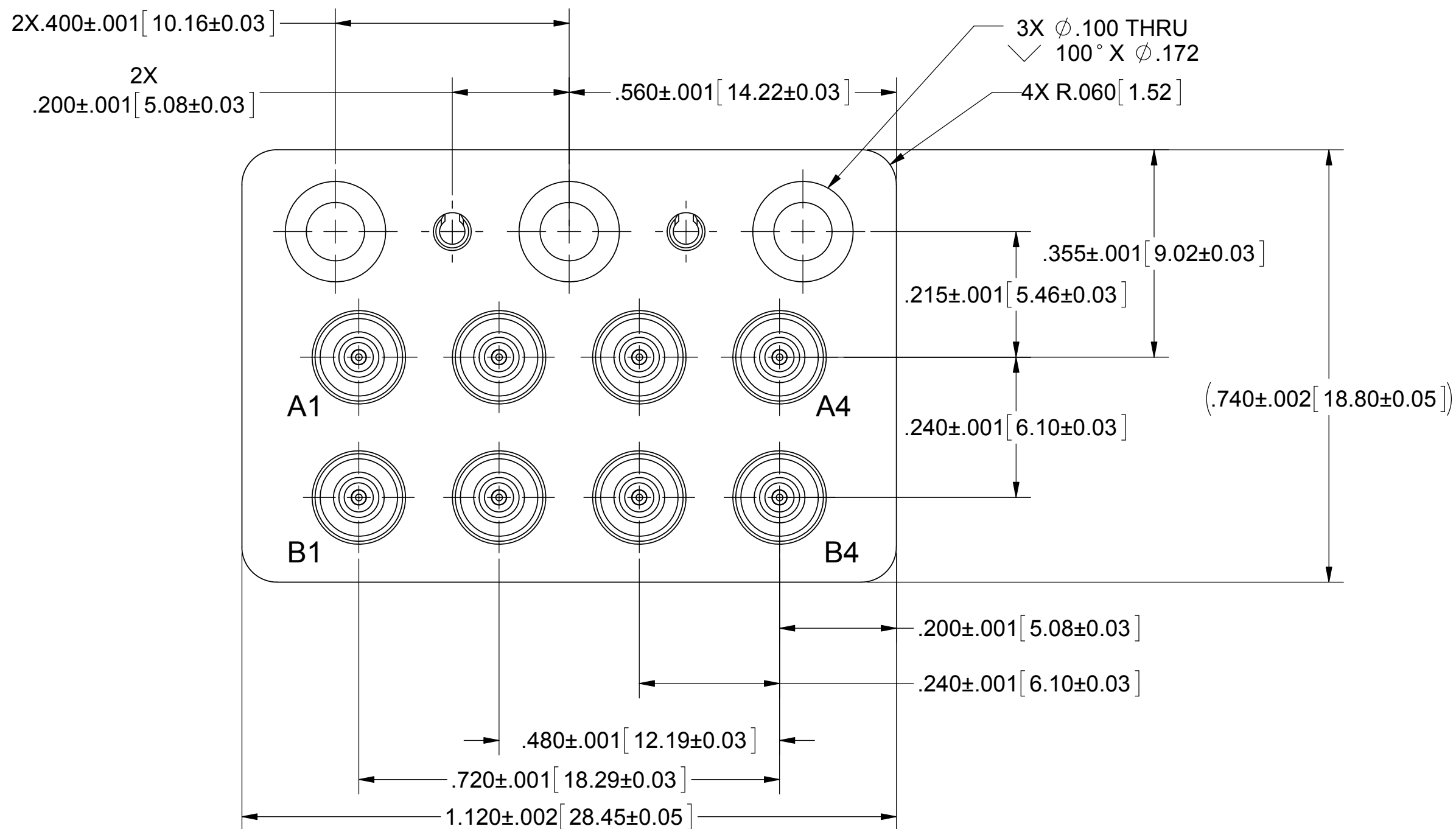
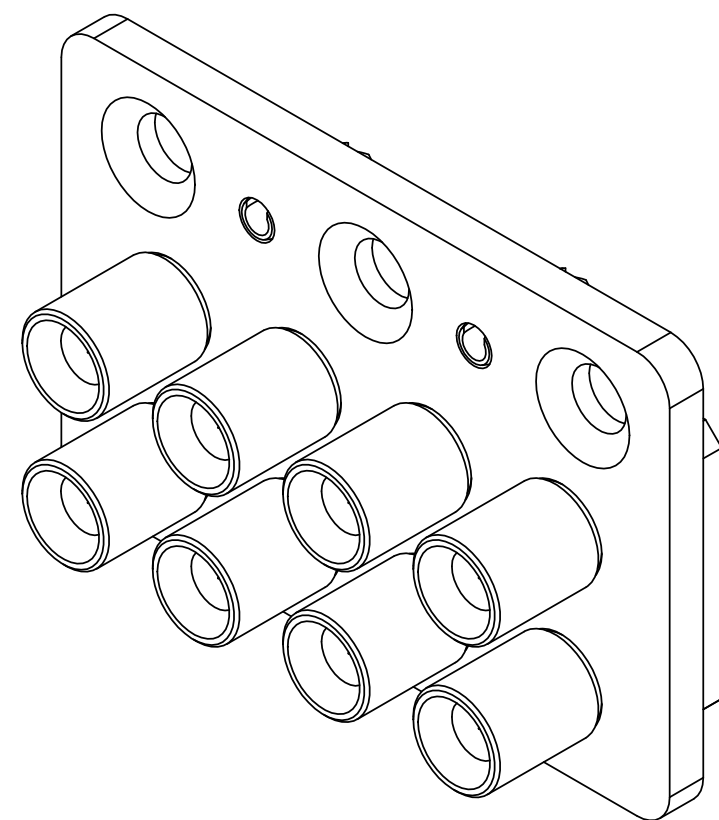
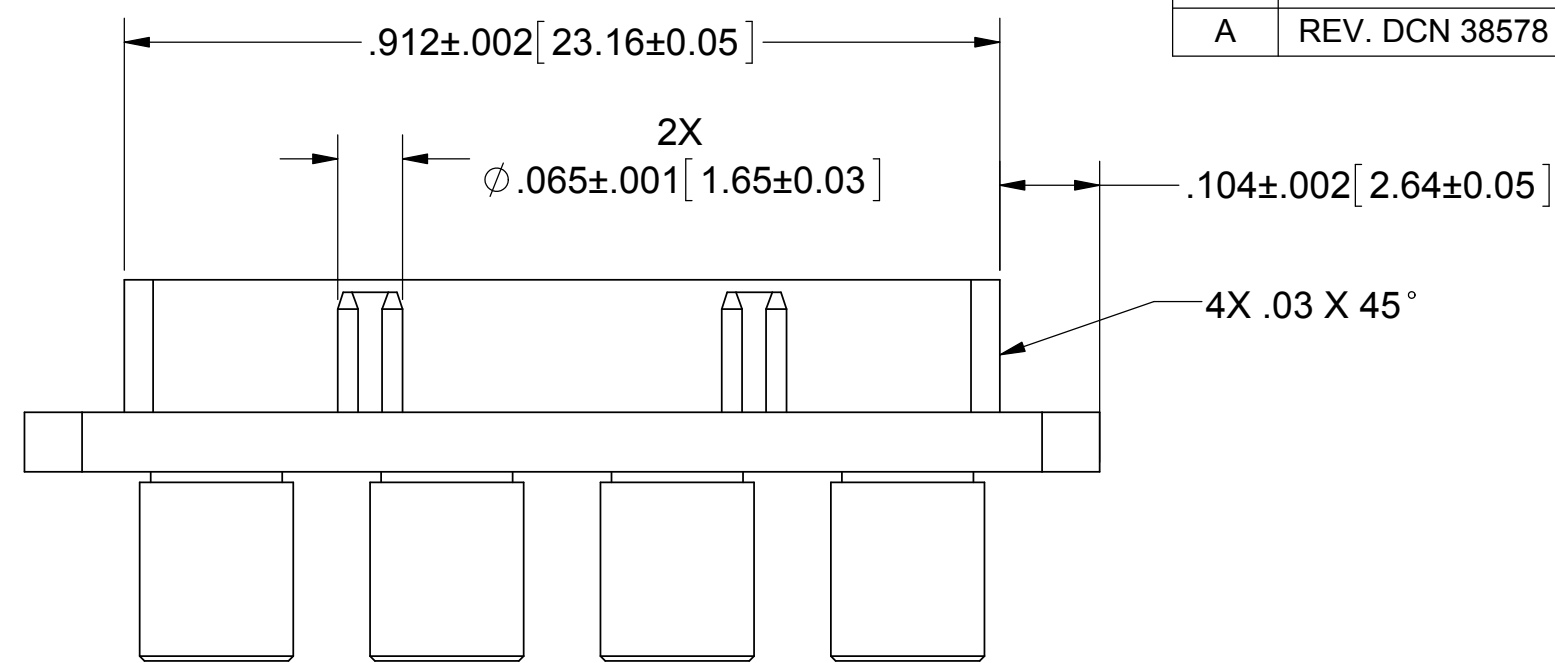
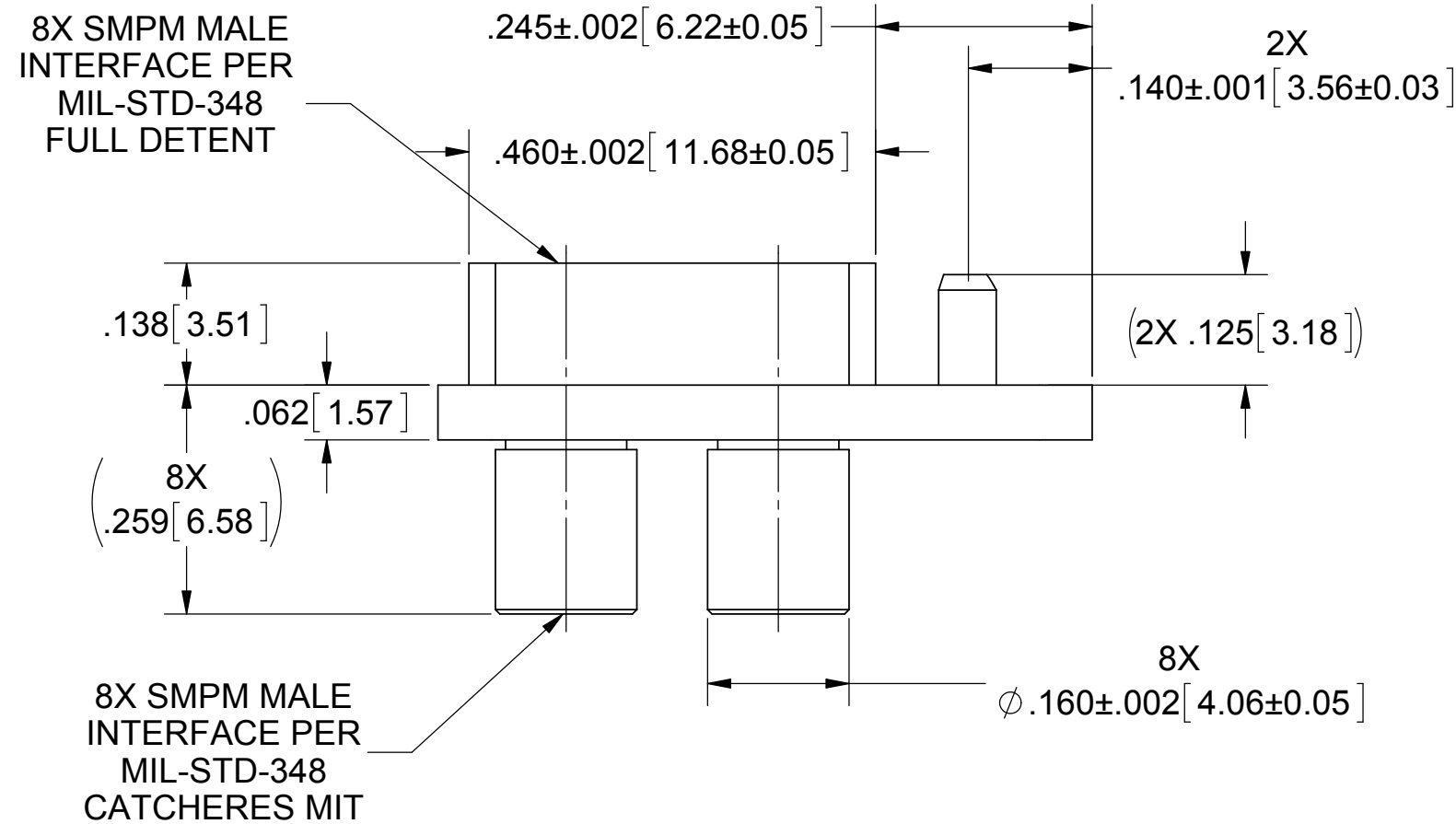


PRODUCT DATA DRAWING

REVISION HISTORY			
REV.	DESCRIPTION	DATE	APPROVED
-	REL. DCN 38002	2/10/11	STW
A	REV. DCN 38578	9/26/11	STW



- MATERIAL:**
- FLANGE:** STAINLESS STEEL PER AMS-5640, ALLOY UNS S30300, TYPE 1.
- SPRING PINS:** STAINLESS STEEL PER ASTM A313, ALLOY UNS S30200, TYPE 302.
- CONTACTS & SMPM BODIES:** BERYLLIUM COPPER PER ASTM B196, ALLOY No. UNS C-17300, TD04.
- INSULATORS:** PTFE PER ASTM D1710, TYPE I, GRADE 1, CLASS B.
- FINISH:**
- FLANGE:** PASSIVATED PER AMS-2700.
- CONTACTS & SMPM BODIES:** GOLD PER ASTM B488, TYPE II, CODE C, CLASS 1.27, OVER NICKEL PER AMS-QQ-N-290, CLASS 1, .00005" MIN.
- PERFORMANCE:**
- IMPEDANCE:** 50 OHMS
- FREQ. RANGE:** DC TO 26.5 GHz
- VSWR:** 1.50:1, MATED PAIR, DC TO 26.5 GHz
- INSERTION LOSS:** .12 X SQRT(F IN GHz)
- DWV:** 1000 VRMS
- OPERATING TEMP.:** -55°C TO +125°C

MATERIAL: SEE NOTES

FINISH: SEE NOTES

DO NOT SCALE DRAWING

PROPRIETARY

THE INFORMATION CONTAINED IN THIS DRAWING IS THE SOLE PROPERTY OF SV MICROWAVE, INC. ANY REPRODUCTION IN PART OR AS A WHOLE WITHOUT THE WRITTEN PERMISSION OF SV MICROWAVE, INC. IS PROHIBITED.

DIMENSIONS ARE IN INCHES

TOLERANCES:

ANGULAR: ±1°

ONE PLACE DECIMAL ±.030

TWO PLACE DECIMAL ±.010

THREE PLACE DECIMAL ±.005

INTERPRET DIMENSIONS AND TOLERANCES PER ASME Y14.5M - 1994

THIRD ANGLE PROJECTION

UNLESS OTHERWISE SPECIFIED:

- ALL DIMENSIONS ARE AFTER PLATING.
- BREAK CORNERS & EDGES R.005 MAX.
- CHAMFER 1ST AND LAST THREAD.
- SURFACE ROUGHNESS 63 PER MIL-STD-10.
- DIA'S ON COMMON CENTERS TO BE CONCENTRIC WITHIN .005 T.I.R.
- REMOVE ALL BURRS.

DRAWN: JMC 02/09/11

CHECKED: STW 02/10/11

APPROVED: STW 02/10/11

E.M. SIMULATION: N/A

SV Microwave, Inc.®
2400 Centrepark West Drive, Suite 100
West Palm Beach, FL 33409

TITLE: MULIPORT ADAPTER
8 POSITION MODULE

SIZE	CAGE CODE	DWG. NO.
C	95077	SF1132-6036

SCALE: 5:1

SHEET 1 OF 1