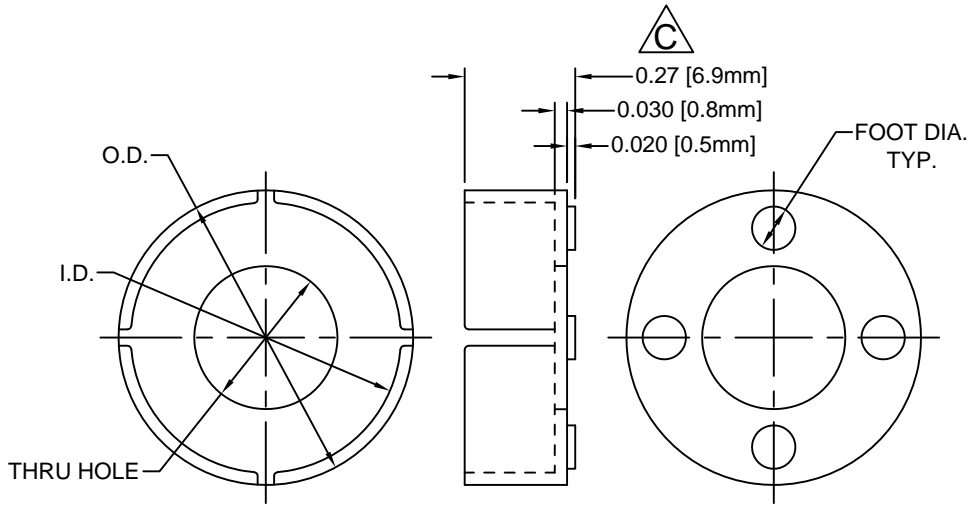

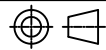


REV.	DESCRIPTION	DATE	APPROVED
B	Engineering Update w/o Changes	02/26/04	M. C.
C	Changed Dim. "0.275" to "0.27"	01/31/05	M. C.
D	Removed P/N ECM-2	07/16/14	J. C.
E	Removed Part From Part Offering List	09/29/15	J. C.
F	Removed Part From Part Offering List	11/20/15	J. C.



PART NO.	EC TYPE	I.D.	O.D.	THRU HOLE	FOOT DIA.
ECM-1	5	.227 (5.8mm)	.287 (7.3mm)	.125 (3.2mm)	.060 (1.5mm)
ECM-4	10	.424 (10.8mm)	.484 (12.3mm)	.250 (6.4mm)	.100 (2.5mm)
ECM-5	12.5-13	.542 (13.8mm)	.602 (15.3mm)	.350 (8.9mm)	.105 (2.7mm)
ECM-13	35	1.410 (35.8mm)	1.470 (37.3mm)	.645 (16.4mm)	.138 (3.5mm)

- 2. MATERIAL: NYLON 6/6, 94V-2, NATURAL.
- 1. GENERAL SPECIFICATIONS: BIVAR MOLDED COMPONENT SPECIFICATION BV00-E101.

STANDARD TOLERANCE (UNLESS OTHERWISE SPECIFIED)		 4 THOMAS, IRVINE, CA. 92618 TEL: (949) 951-8808 FAX: (949) 951-3974		
DECIMALS	ANGULAR			
.X ± .1	X° ± 1°		TITLE: ELECTROLYTIC CAPACITOR MOUNT	
.XX ± .01			PART NO: ECM-XX	REVISION: F
.XXX ± .005			CAGE CODE : 32559	SHEET # 1 OF 1
DESIGNED: <b>S. Irving</b>	DATE: <b>08/27/98</b>	CHECKED: <b>M. Chen</b>	DATE: <b>03/04/03</b>	CAD GENERATED DOCUMENT. DO NOT MEASURE DRAWING.