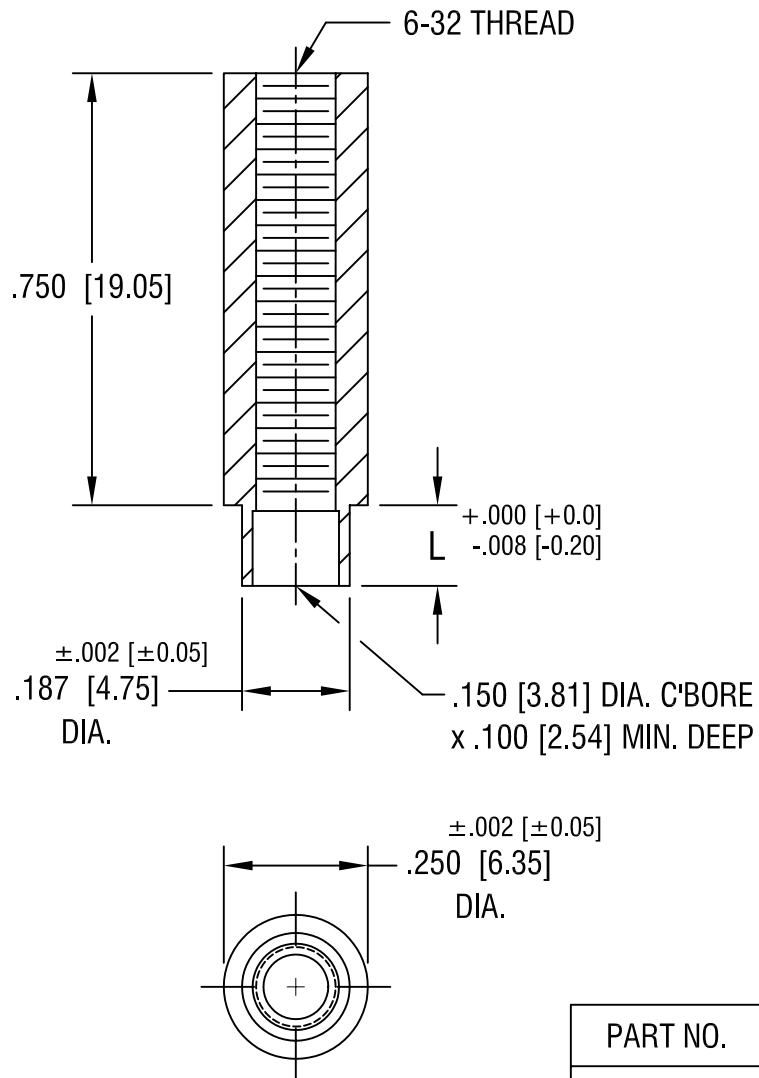


THIS DOCUMENT IS THE PROPERTY OF  
KEYSTONE ELECTRONICS CORP. AND  
SHALL NOT BE REPRODUCED, DISTRIBUTED  
OR USED AS A BASIS FOR MANUFACTURE  
WITHOUT PRIOR WRITTEN PERMISSION  
FROM KEYSTONE ELECTRONICS CORP.



| PART NO. | 'L' DIM.    |
|----------|-------------|
| 1608-2   | .109 [2.77] |
| 1608-3   | .140 [3.56] |
| 1608-4   | .171 [4.34] |

|                                   |  |        |          |
|-----------------------------------|--|--------|----------|
| <b>KEYSTONE ELECTRONICS CORP.</b> |  |        |          |
| ASTORIA, N.Y. 11105-2017          |  |        |          |
| PART NAME                         |  |        |          |
| SWAGE THREADED STANDOFF           |  |        |          |
| MATERIAL                          |  |        |          |
| BRASS                             |  |        |          |
| FINISH                            |  | DRN BY | DATE     |
| DUCTILE<br>NICKEL PLATE           |  | BOONE  | 5.14.02  |
|                                   |  | APPD   | SCALE    |
|                                   |  | LN     | 3X       |
| TOLERANCES                        |  | INCH   | [MM]     |
| DECIMAL                           |  | ± .005 | [± 0.15] |
| ANGULAR                           |  | ± 1°   |          |
| UNLESS OTHERWISE SPECIFIED        |  | CODE   | DWG NO.  |
|                                   |  | C/M    | 1608-    |

| DATE | DESCRIPTION | REV. |
|------|-------------|------|
|      |             |      |