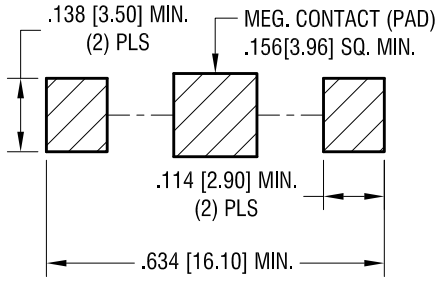
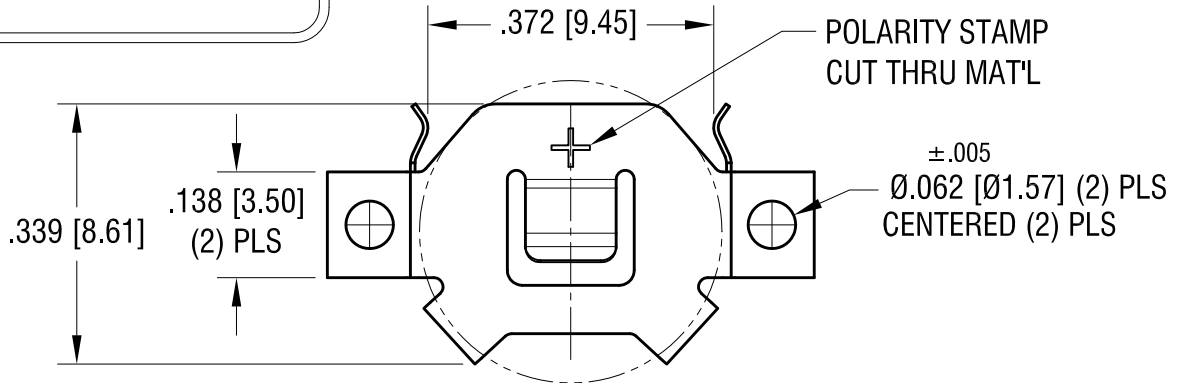


THIS DOCUMENT IS THE PROPERTY OF KEYSTONE ELECTRONICS CORP. AND SHALL NOT BE REPRODUCED, DISTRIBUTED OR USED AS A BASIS FOR MANUFACTURE WITHOUT PRIOR WRITTEN PERMISSION FROM KEYSTONE ELECTRONICS CORP.

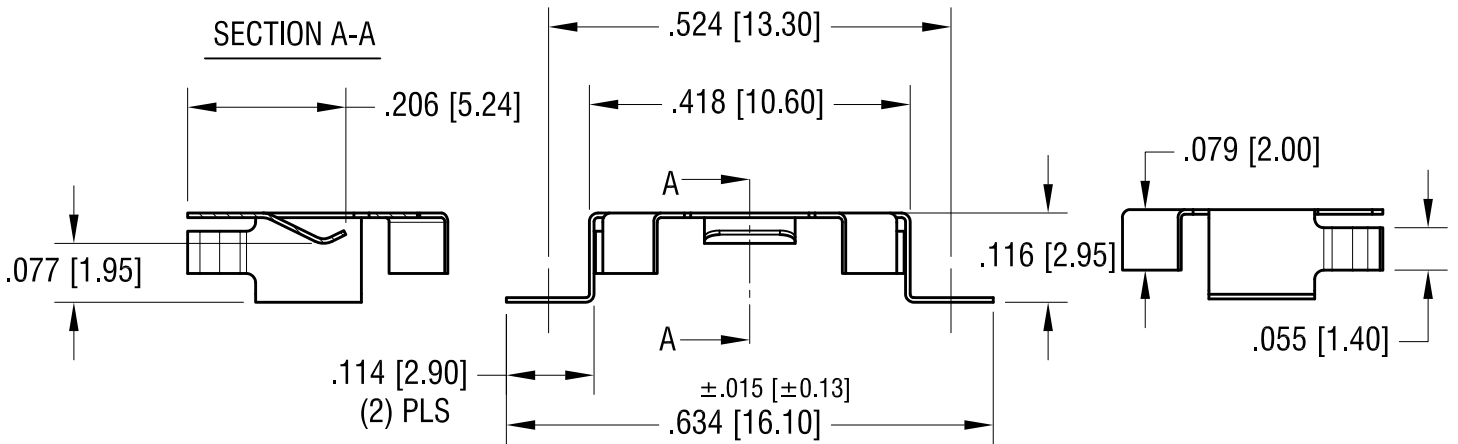
**MOUNTING PAD LAYOUT**



**ACTUAL SIZE**



**SECTION A-A**



**KEYSTONE ELECTRONICS CORP.**

www.keyelco.com • ASTORIA, N.Y. 11105-2017 • Tel (718) 956-8900

PART NAME		10mm SM COIN CELL CLIP	
MATERIAL			
.006 [0.15] TH'K PHOSPHOR BRONZE			
FINISH		DRN BY	DATE
MATTE TIN PLATE		NT	9.17.10
		APP'D	SCALE
		LN	4X
TOLERANCES	INCH [MM]	CODE	DWG NO.
DECIMAL	±.010 [±0.25]	C	3050
ANGULAR	± 1°		
UNLESS OTHERWISE SPECIFIED			

12.27.16	CHANGE AS PER ECN 16-115	A
DATE	DESCRIPTION	REV.