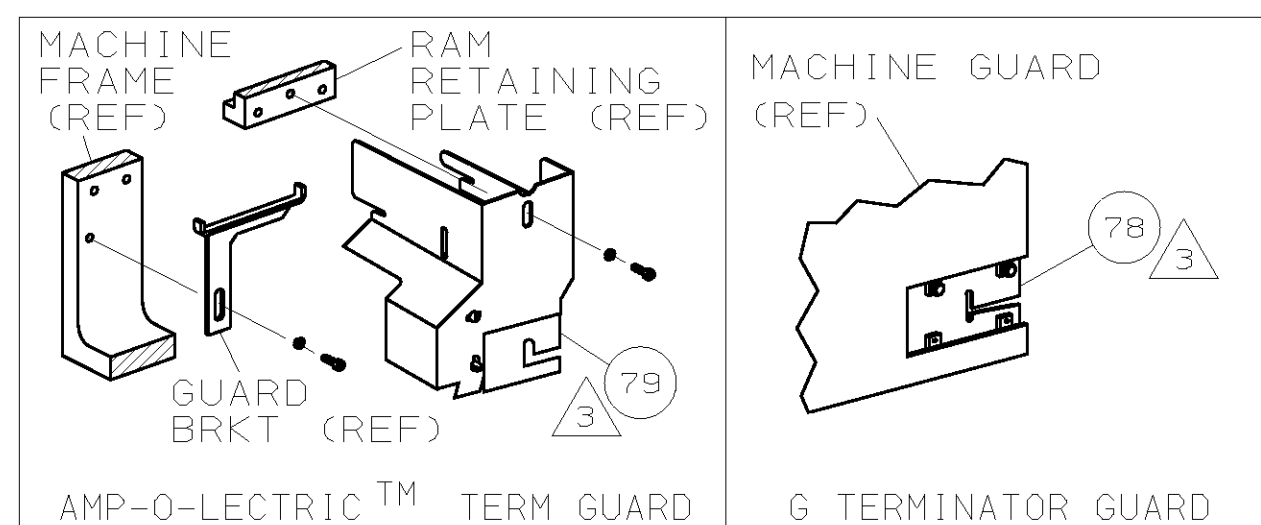


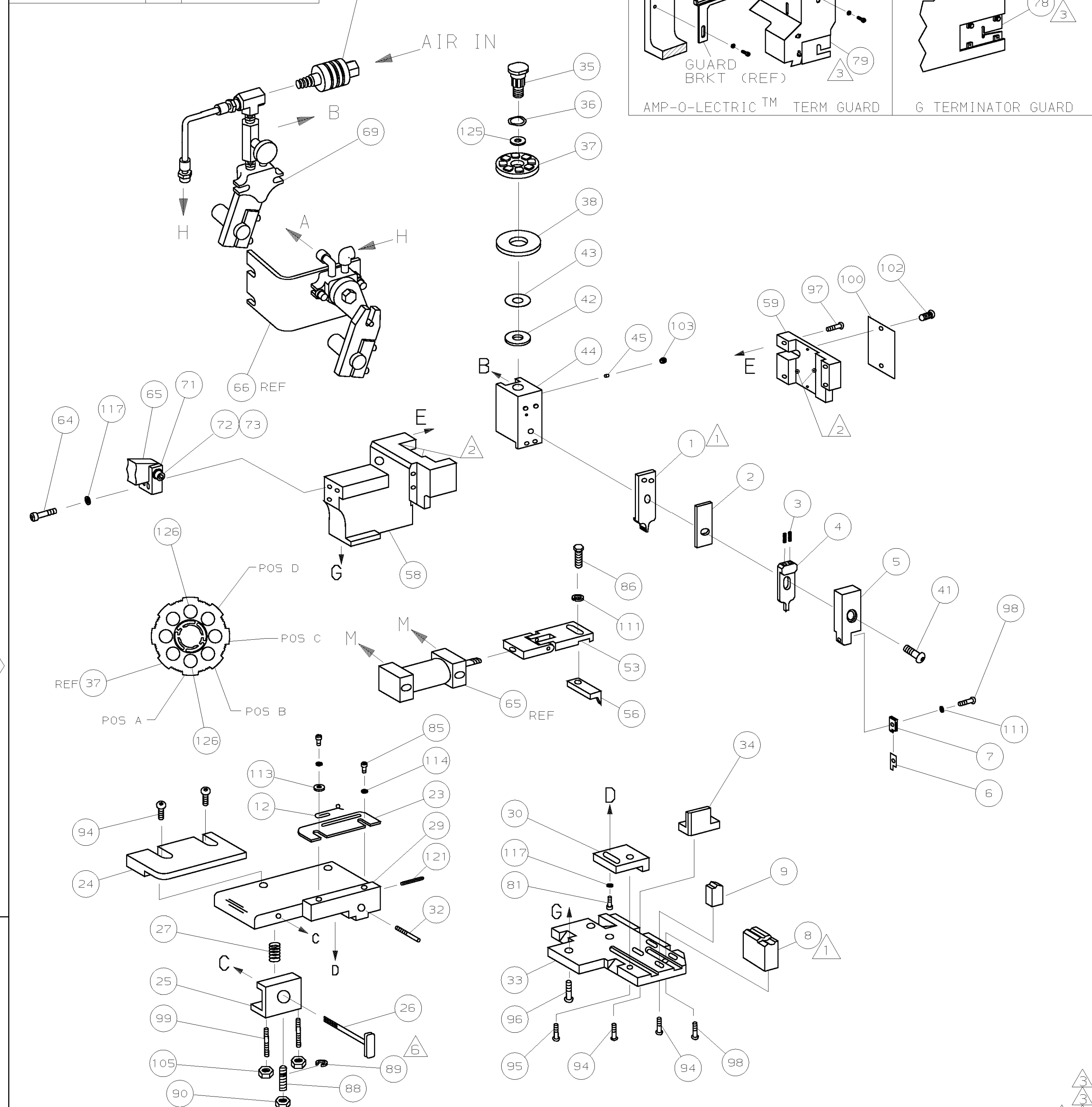
PART NUMBER	REV	FIRST USED
680468-1	D	122500-1
680468-2	D	565435-5
680468-3	D	354500-1



TERMINAL NAME: TUBULAR END-SLEEVE W/PLASTIC SLEEVE		CRIMPING DATA	
PAD LTR	CRIMP HEIGHT	WIRE SIZE	
A	.030 ± 0.002 [0.76 ± 0.05mm]	0.75mm <sup>2</sup>	
B	NOT	USED	
C	NOT	USED	
D	NOT	USED	
CRIMP WIRE	SIZE	TYPE	RANGE
	.070 [1.78mm]	D	0.75mm <sup>2</sup>

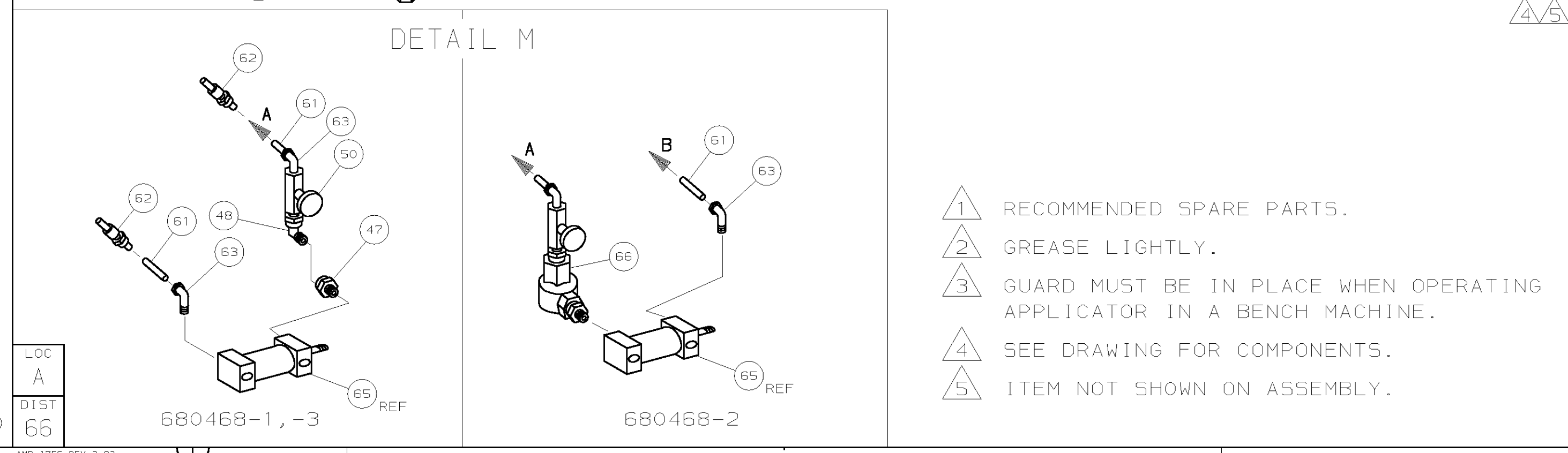
QTY	REV	DESCRIPTION	ITEM NO
-1		LEADMAKER	
-2		BENCH MODEL K	
-3		BENCH MODEL G	

QTY	REV	DESCRIPTION	ITEM NO
-	1	-	70
-	1	-	69
-	1	-	68
-	REF	-	67
1	1	1	66
2	2	2	65
2	1	2	64
2	-	2	63
2	-	2	62
42.00	21.00	42.00	61



QTY	REV	DESCRIPTION	ITEM NO
			129
			128
2	2	2	127
1	1	1	126
1	1	1	125
1	1	1	124
1	1	1	123
1	1	1	122
1	1	1	121
			120
			119
3	3	3	118
			117
			116
			115
2	2	2	114
1	1	1	113
			112
1	1	1	111
			110
			109
			108
			107
			106
2	2	2	105
1	1	1	104
2	2	2	103
			102
			101
1	1	1	100
2	2	2	99
2	2	2	98
4	4	4	97
3	3	3	96
1	1	1	95
6	6	6	94
			93
			92
			91
1	1	1	90
1	1	1	89
1	1	1	88
1	1	1	87
1	1	1	86
2	2	2	85
			84
			83
			82
1	1	1	81
			80
-	1	-	79
REF	-	-	78
-	-	1	77
			76
			75
			74
1	1	1	73
1	1	1	72
1	1	1	71
QTY	REV	DESCRIPTION	ITEM NO
-3	-2	-1	U/M

QTY	REV	DESCRIPTION	ITEM NO
1	1	1	70
1	1	1	69
1	1	1	68
1	1	1	67
1	1	1	66
1	1	1	65
1	1	1	64
1	1	1	63
1	1	1	62
1	1	1	61
			60
1	1	1	59
1	1	1	58
			57
			56
			55
			54
1	1	1	53
			52
			51
1	-	1	50
			49
1	-	1	48
1	-	1	47
			46
1	1	1	45
1	1	1	44
1	1	1	43
1	1	1	42
1	1	1	41
			40
			39
1	1	1	38
1	1	1	37
1	1	1	36
1	1	1	35
1	1	1	34
1	1	1	33
1	1	1	32
			31
1	1	1	30
1	1	1	29
			28
1	1	1	27
1	1	1	26
1	1	1	25
1	1	1	24
1	1	1	23
			22
			21
			20
			19
			18
			17
			16
			15
			14
			13
1	1	1	12
			11
			10
1	1	1	9
1	1	1	8
1	1	1	7
1	1	1	6
1	1	1	5
1	1	1	4
2	2	2	3
1	1	1	2
1	1	1	1
QTY	REV	DESCRIPTION	ITEM NO
-3	-2	-1	U/M



1 RECOMMENDED SPARE PARTS.  
 2 GREASE LIGHTLY.  
 3 GUARD MUST BE IN PLACE WHEN OPERATING APPLICATOR IN A BENCH MACHINE.  
 4 SEE DRAWING FOR COMPONENTS.  
 5 ITEM NOT SHOWN ON ASSEMBLY.  
 6 THREAD ITEM 88 INTO ITEM 25 AND INSERT ITEM 89 ONTO ITEM 88.

QTY	REV	DESCRIPTION	ITEM NO
1	1	1	70
1	1	1	69
1	1	1	68
1	1	1	67
1	1	1	66
1	1	1	65
1	1	1	64
1	1	1	63
1	1	1	62
1	1	1	61
			60
1	1	1	59
1	1	1	58
			57
			56
			55
			54
1	1	1	53
			52
			51
1	-	1	50
			49
1	-	1	48
1	-	1	47
			46
1	1	1	45
1	1	1	44
1	1	1	43
1	1	1	42
1	1	1	41
			40
			39
1	1	1	38
1	1	1	37
1	1	1	36
1	1	1	35
1	1	1	34
1	1	1	33
1	1	1	32
			31
1	1	1	30
1	1	1	29
			28
1	1	1	27
1	1	1	26
1	1	1	25
1	1	1	24
1	1	1	23
			22
			21
			20
			19
			18
			17
			16
			15
			14
			13
1	1	1	12
			11
			10
1	1	1	9
1	1	1	8
1	1	1	7
1	1	1	6
1	1	1	5
1	1	1	4
2	2	2	3
1	1	1	2
1	1	1	1
QTY	REV	DESCRIPTION	ITEM NO
-3	-2	-1	U/M